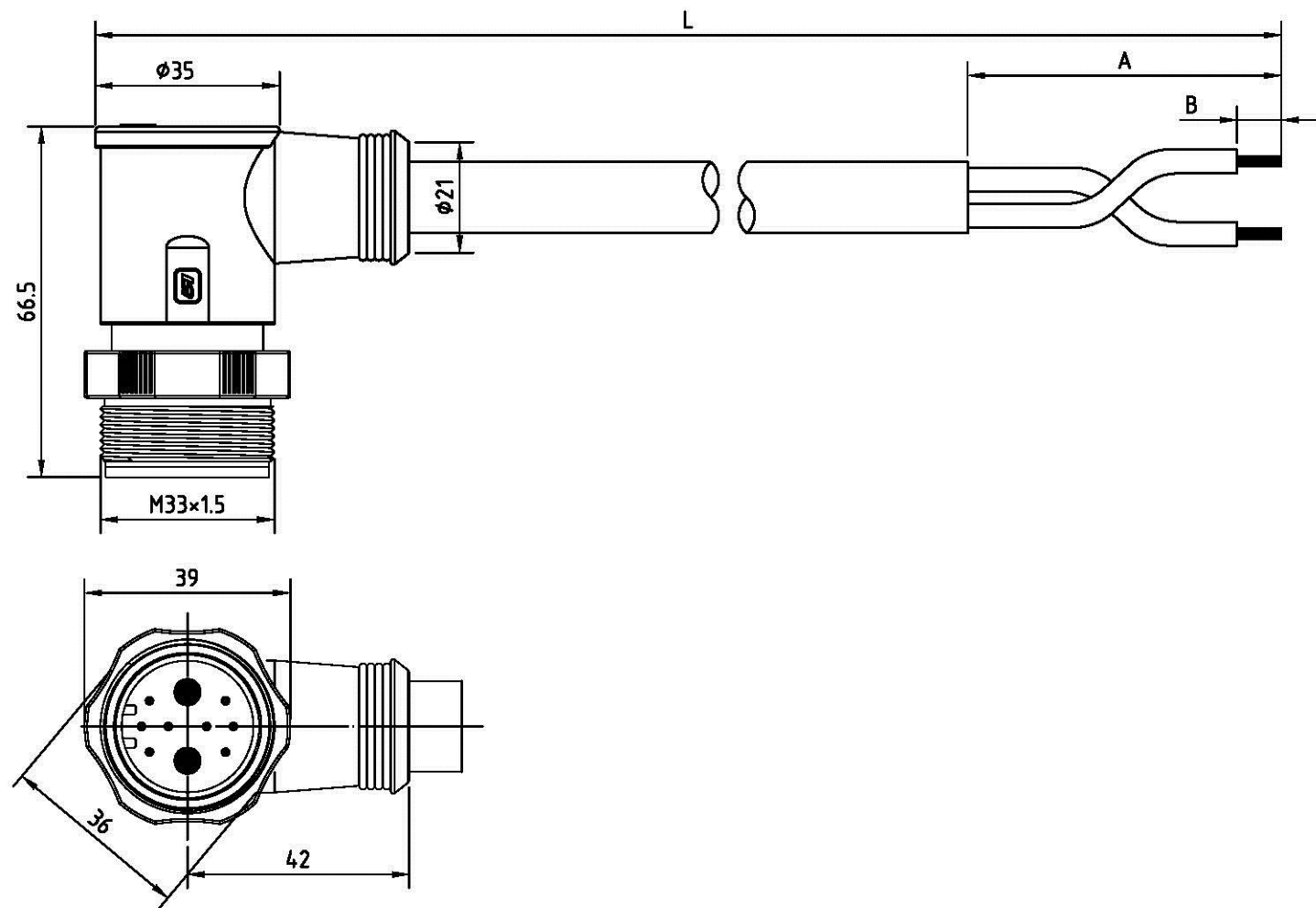


REV.	Description	Date
1	contact arrangement revise	2014/3/1



Specification of connector

General Characteristics
 Locking system : Screw M33
 Shell protection : IP67

Electrical Characteristics
 Rated voltage : 250V
 Rated current : Large pin 70A
 : Small pin 10A
 Contact resistance : $\leq 10m\Omega$

Materials
 Pin contact : brass
 Contact plating : gold
 Male insert : PA
 Ring nut : PA

Specification of cable

Material Jacket	PVC	PUR

RoHS
LEAD FREE



www.allconnectors.de
 Tel.: 0049 711 7009503
 70794 Filderstadt - Germany

info@allconnectors.de
 Fax: 0049 711 7009504
 Kettnerstr. 25

DATE	2014/3/1	PART NO.	UT-D280M1-XP
DWN	GINA	REV.	1
CHK			
UNIT	MM		

ITEM	High Power
------	------------